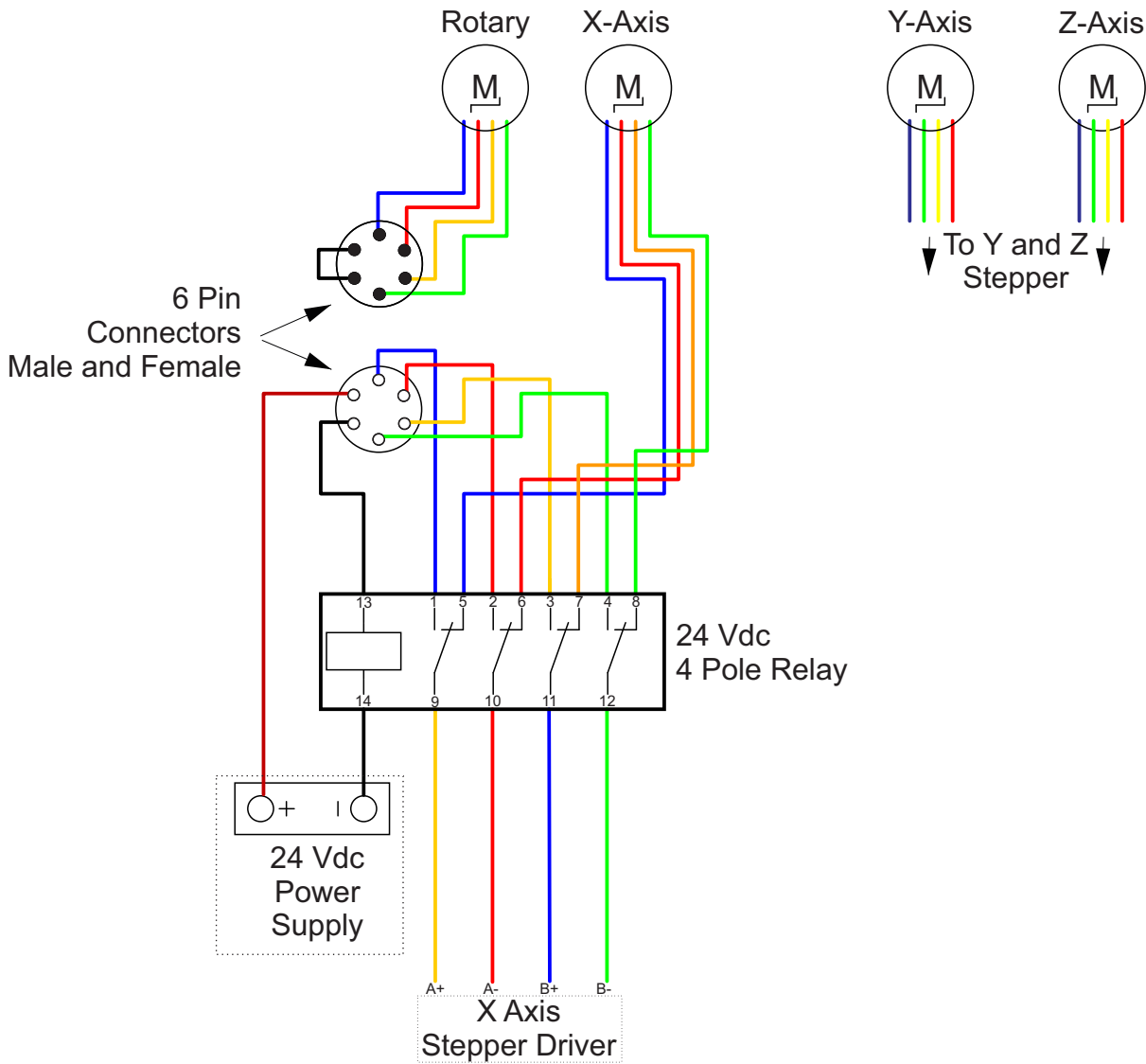


# DIY Router Rotary Wiring Diagram



## Installation Requirements\*

<b>ROTARY-900/100</b>	Φ100mm Center Driven Rotary 900mm with Motor, for EasyRoute-Express DIY Routers (SKU:R-6090DIY/15) and All 150mm+ Gantry CNC Routers Rotary itself)
<b>AE-RELAY/GS4</b>	Generic 4 Poles Relay, 24VDC GS MY4N Coil Non-Latching Relay
<b>AE-RELAY/GS4B</b>	Generic 4 Poles Relay Socket Base 14A 14 PIN Screw Terminals, Support GS2/GS4 Relays
<b>AE-CONNECTOR/GX15-6/F</b>	Generic GC15-6 6PIN Female Screw Aviation Connector
<b>AE-CONNECTOR/GX15-6/M</b>	Generic GC15-6 6PIN Male Screw Aviation Connector
<b>AE-CABLE-RVV/10/4</b>	1mm 4 Core RVV Copper Core PVC Sheath Flexible Cable, for General CNC Control Signal and Power and this cable needed)

\*Conveniently use the **ROTARY-900/100/SET** SKU for all the listed above.