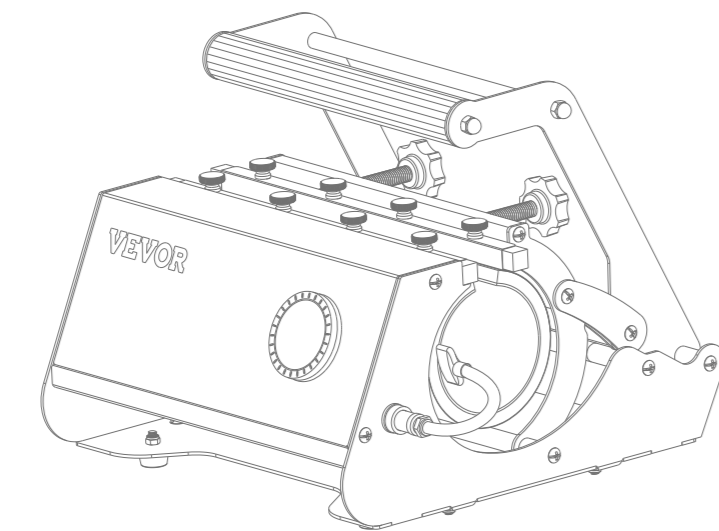


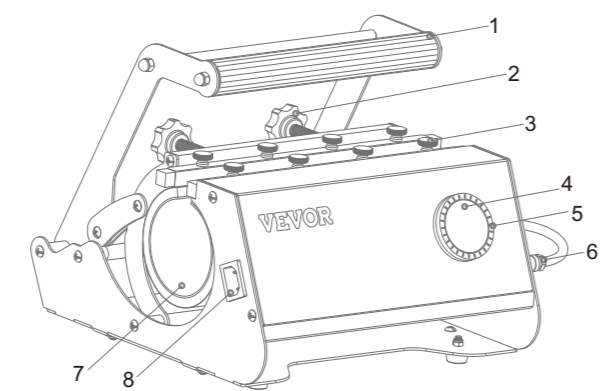
Multifunctional direct mug press User manual



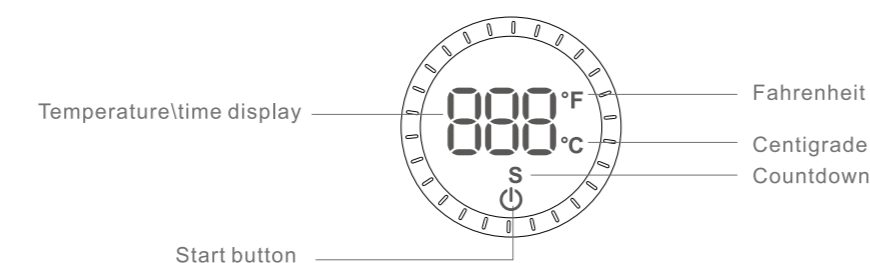
Max. diameter: 85mm Max. length: 260mm
Up to 30OZ aluminum pot cup can be made

Warnings must be followed carefully to avoid body injury.

Introduction



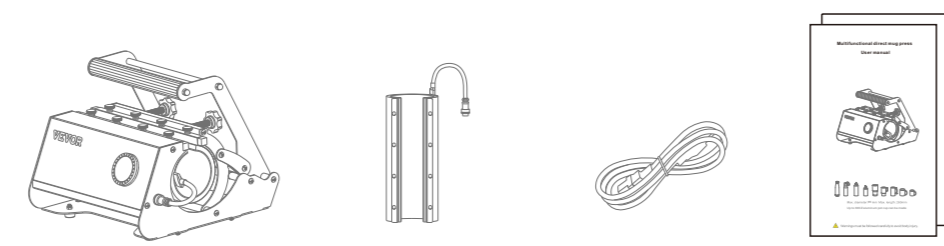
- | | |
|----------------------------|-----------------------|
| 1. Aluminum alloy handle | 5. Setting knob |
| 2. Pressure adjusting knob | 6. Aviation connector |
| 3. Screw | 7. Mug heater |
| 4. LED Display | 8. Power socket |



Temperature/time display — Fahrenheit
— Centigrade
— Countdown

Start button

Accessories list



Main machine 30oz mug heater Power cord User manual

1.Startup

After power on, short press the start button to start the machine.
After startup, the machine will automatically heat up.

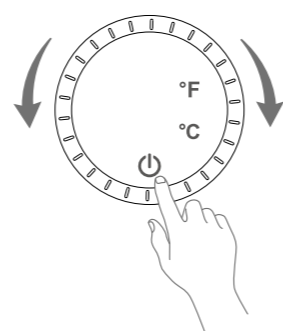
2.Shutdown

Press and hold the start button for 3s to shut down.

3.Auto shutdown

The machine will automatically shut down if there is no operation within 60min.

Temperature unit conversion °F ⇌ °C

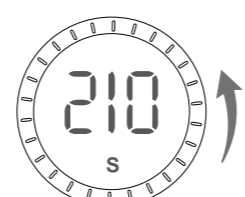
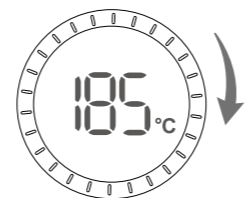


- In shutdown state
- Press and hold the start button for 6s.
- Turn the switch to select the required temperature unit.
- Short press the start button to start the machine.

Parameter setting

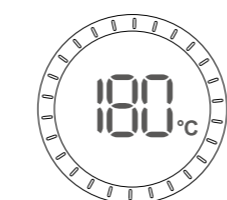
Temperature setting:

- Turn the display half a turn to the right.
- Enter the temperature setting mode after a beep sound.
- Turn the switch to the right again to increase the temperature (+).
- Turn the switch to the left again to reduce the temperature (-).



Time setting:

- Turn the display half a turn to the left.
- Enter the time setting mode after a beep sound.
- Turn the switch to the right again to increase the time (+).
- Turn the switch to the left again to reduce the time (-).

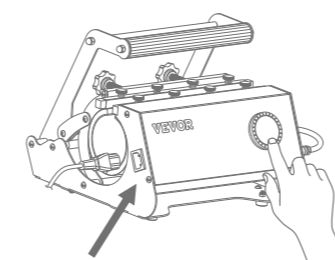


Ready to start
Parameter setting

- Turn the display for a half turn.
- Enter the setting mode after a beep sound.
- Set corresponding parameters according to material type.

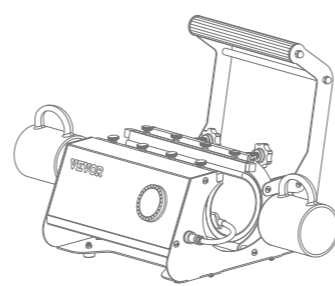
185°C 210s

Two 11oz mug presses



Start hot stamping

- Plug in the power cord and turn on the power
- Short press the start button to start the machine
- Set printing temperature and time

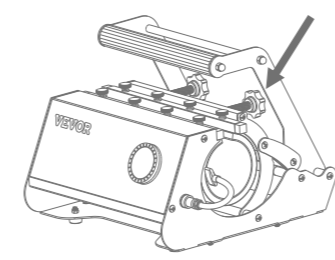


Hot stamping process

- Make sure that the machine reaches the set temperature before transfer printing.
- Stick the picture on the mug
- Hold the handle and open the machine
- Put the mugs in from the left and right
- Press down the handle
- Press the countdown button to start countdown

Tips:

- Increase the transfer time if the color of the transferred pattern is too light.
- Reduce the transfer time if the color of the transferred pattern is too dark.



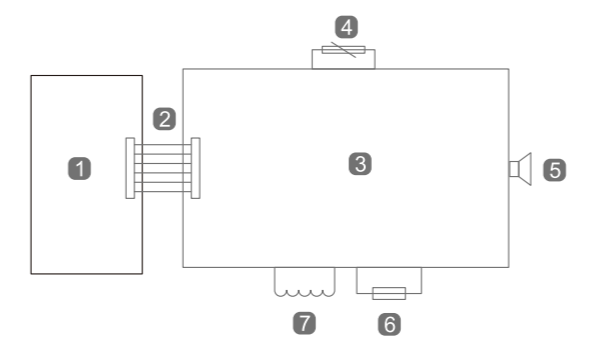
Pressure adjustment

- The pressure can be adjusted manually for different sizes of mugs
- Turn the handwheel clockwise to increase the pressure
- Turn the handwheel counterclockwise to reduce the pressure

Tips:

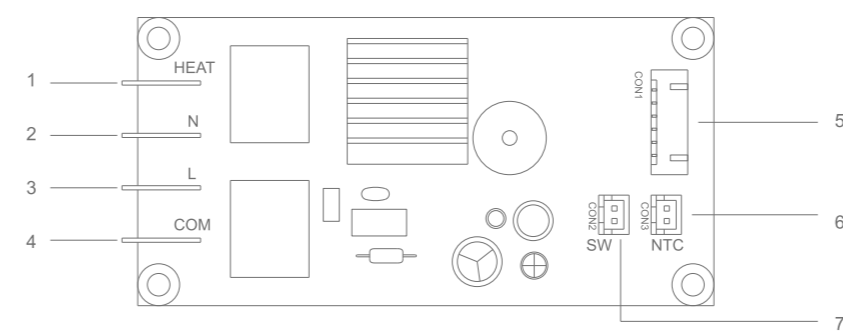
Please try to keep the pressure balance at both sides.

Electrical Diagram



- | | | |
|---------------------------|---------------------|---------------|
| 1 Main Control Board | 2 Connect the cable | 3 Power Strip |
| 4 Down temperature sensor | 5 Buzzer | |
| 6 Thermal cutoff | 7 Heating Filament | |

Main board wiring diagram



- | | |
|---------------------|---------------------------|
| 1. Output zero line | 5. Display |
| 2. Input zero line | 6. Temperature probe |
| 3. Input live line | 7. Sensor switch (backup) |
| 4. Output live line | |

Guarantee

The products are strictly based on the Consumer Protection Law of the People's Republic of China and the Product Quality Law of the People's Republic of China. The services are as follows:

Within 12 months this product has the performance failure listed in the Product Performance Failure Table. It is confirmed by manufacturer and can be used for maintenance service free of charge. If out of validity, damage caused by force majeure, or human causes, the machine is not covered by the warranty, repair in charge.

Safety instruction

Before operating this unit, please read these instructions completely and save them.

Notice:

- Keep unplug when moving the machine.
- Keep unplug when installing accessories.
- Place on a flat and stable platform and operate under ventilated conditions.
- Wear special protective equipment when operating the machine

Warning

Improper use may result in electric shock, fire, personal injury and other damage.

- Do not use this machine in a hazardous location.
- Do not use when the machine is not working properly.
- Do not allow children or adults who do not understand this manual to operate this machine.
- Do not disassemble and repair this machine.
- Do not use an unsuitable AC outlet.
- Do not touch the heating plate when the machine heating



Warning

Basic Product Parameters

Name: Mug press	
Heating method: Electric heating coil	
Rated voltage/frequency: 220V~50Hz 110V~50Hz -60Hz	
Rated power: 600W± 10%	
Temperature range: 40°C-210°C (104°F-410°F)	Time range: 1-999s
Model: F270	
Press pad size: L 270mm, printing diameter 85mm	

Warranty

Type	Items	Period
Whole machine	Parts of machine (excl. accessories)	1 year
Accessories	Mug heater	No warranty for consumables