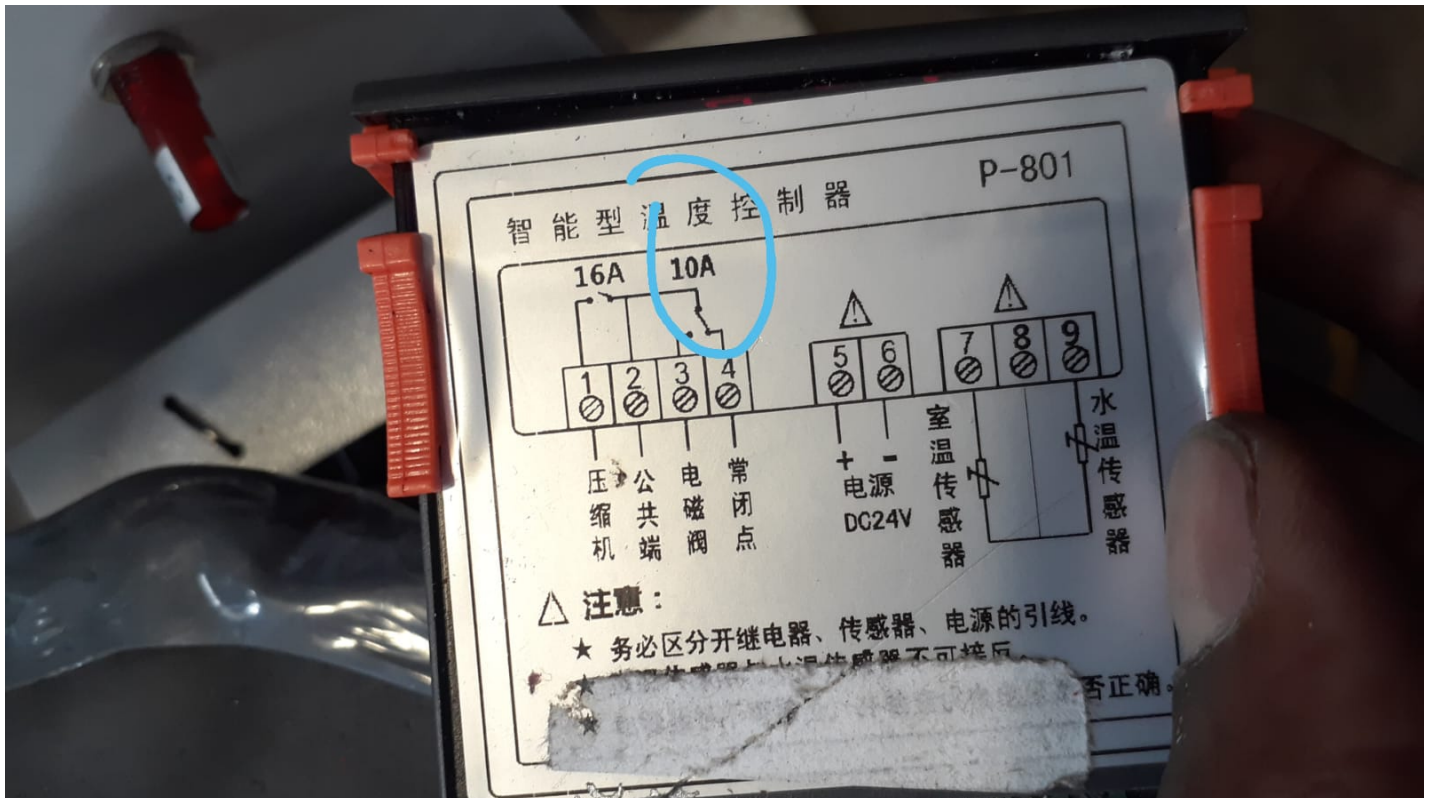
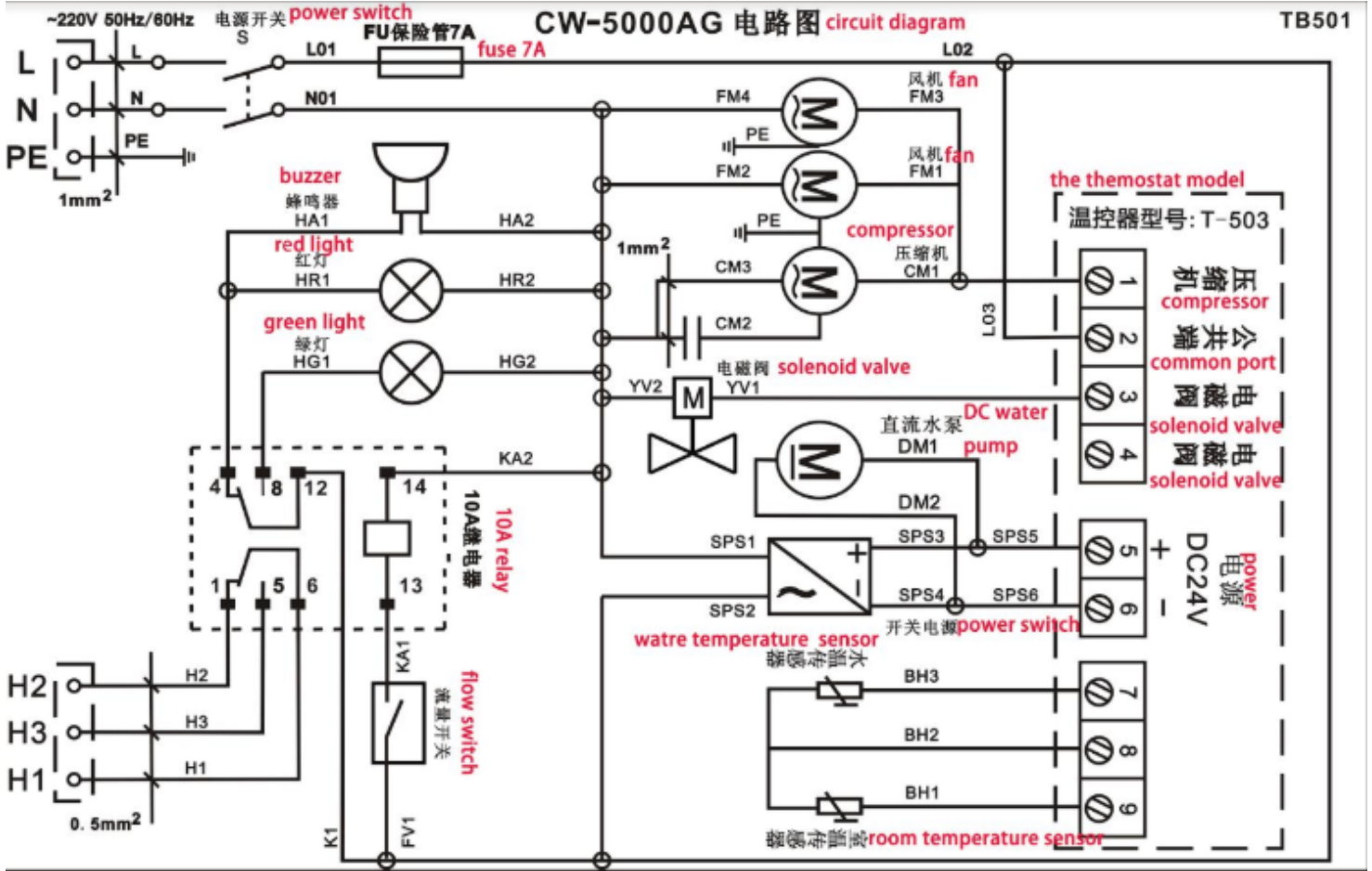




CW-5000AG Wiring Diagram

Here is the wiring diagram for the CW 5000 series chillers. A video overview as well as links to important documentation are below:





NOTES:

- You can use a 5A to 10A relay switch
 - The relay switch itself will have a wiring diagram on it for the pins to use.
- Temperature will regulate itself for the new controller
- Use any 24V led lights if any are burnt out.