



- Economy cooling equipment
- CE approval
- Easy installation and operation
- Easily movable

CW-3000

系列工业冷却机

THERMOLYSIS WATER-COOLED CHILLER

使用说明

USER MANUAL

INTRODUCTION

CW-3000 Series is professional cooling machine referring to international advanced thermolysis cooling system design, suitable for small water-cooled cooling devices requested machinery.

- ➔ Specific disconnection alarm security protection.
- ➔ Hermetic type water tank, water is available for a long time used.
- ➔ Real-time temperature monitoring, accurate knowledge of heating devices working condition.
- ➔ Professional air-cooled forced radiator with strong heat dissipating capacity and difficult to be blocked up.
- ➔ Equipped with alarm output port to protect sensitive components quickly.
- ➔ High cost performance, low failure rate.
- ➔ There are several options of power supply, complete in specifications.

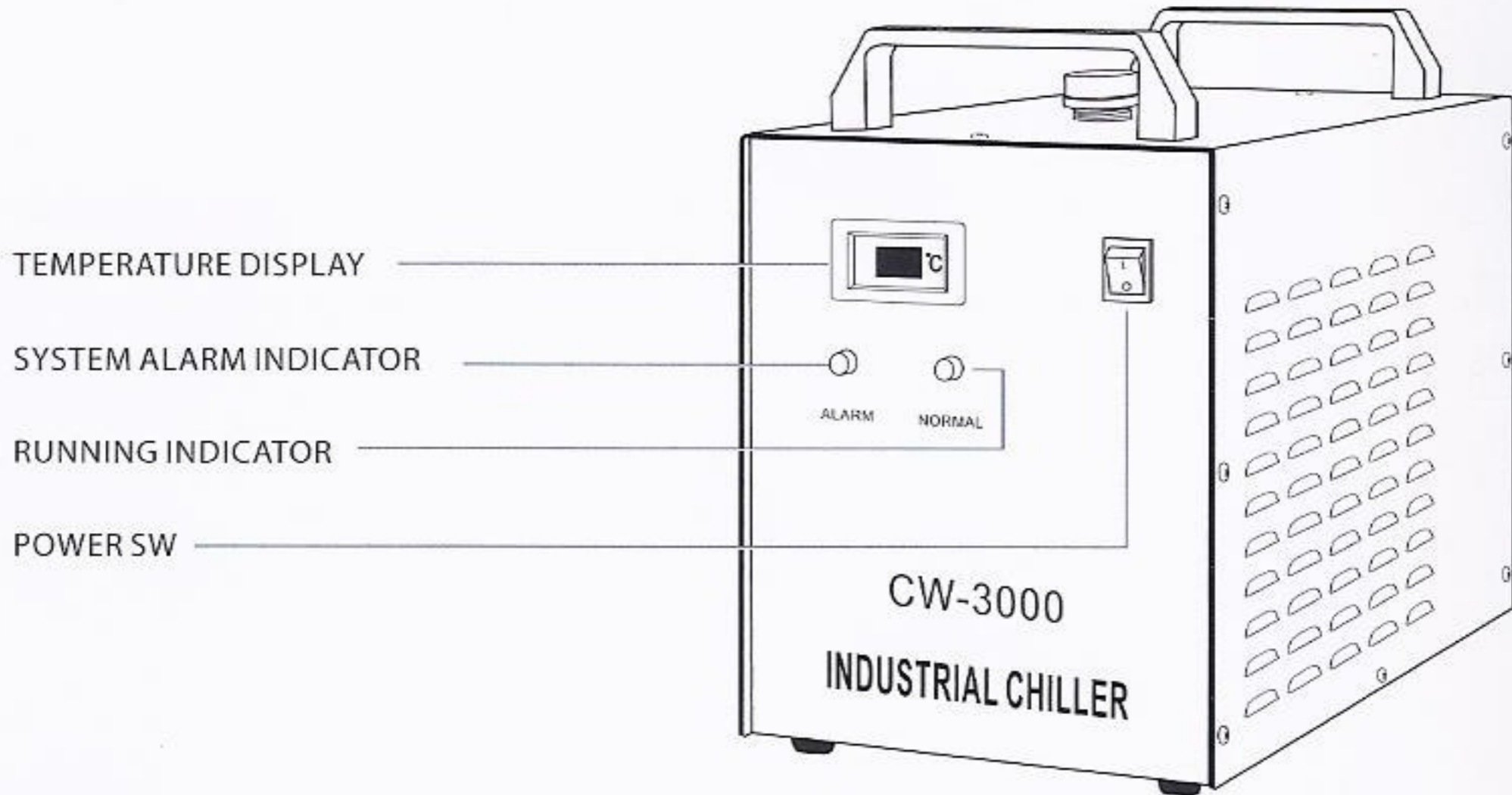
CAUTION

It is strictly forbidden to plug and run the cooler without feeding water.

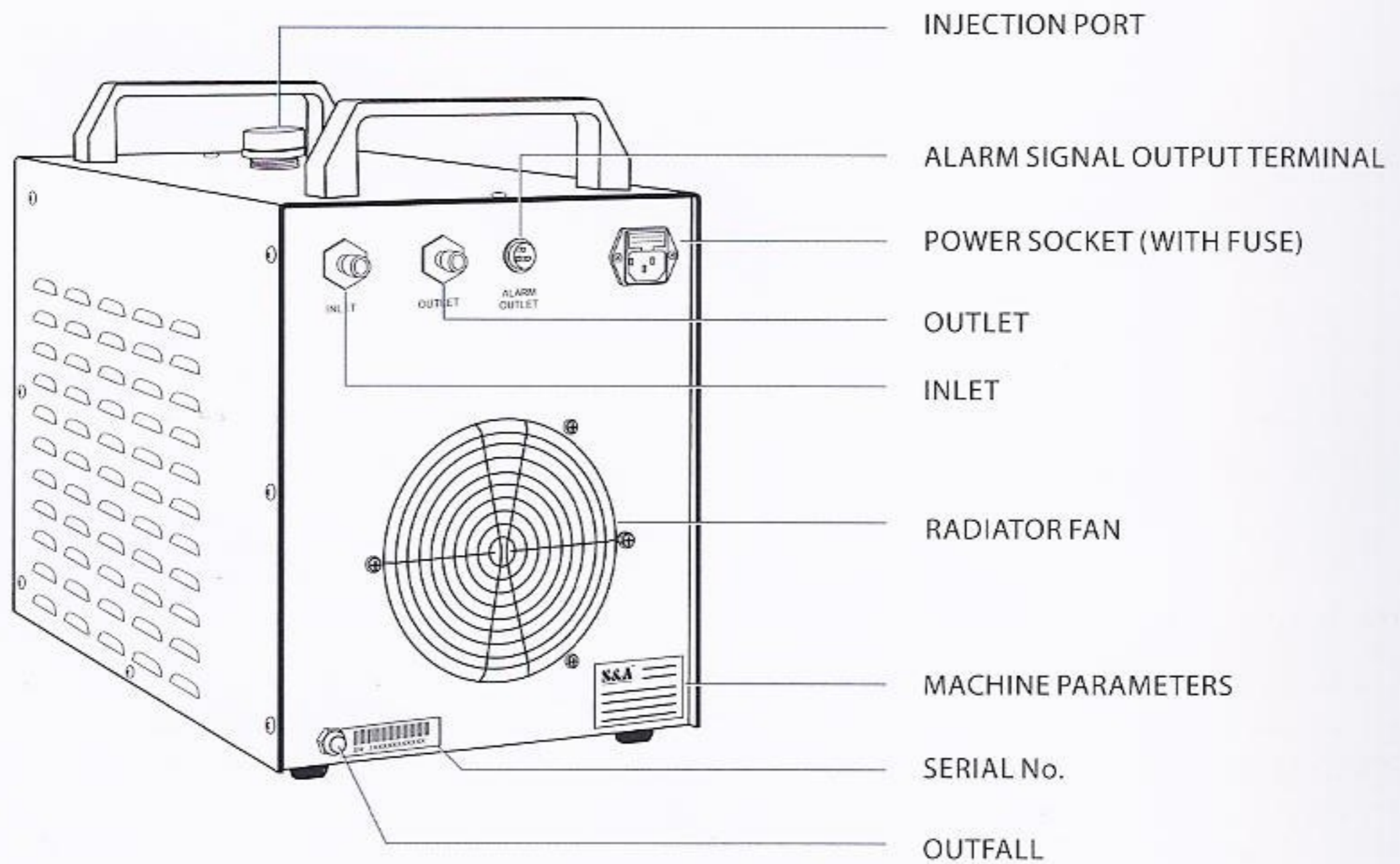
- ➔ Cooler should be placed in a well-ventilated, dry environment place and away from heat sources.
- ➔ Please keep at least 30cm from obstructions to the air outlet which is in the back of the cooler, and should leave at least 10cm between obstructions and air inlets of two sides.
- ➔ The cooling water must be drained if the cooler is out of use for long time Or before being transported.
- ➔ To protect laser heating devices, the radiator fan of cooler will suspend to work when water temperature is lower (about 10 °C), and it will restart to run when water temperature rises to higher(about 20 °C).

SHAPE AND PARTS NAME

FRONT



BACK

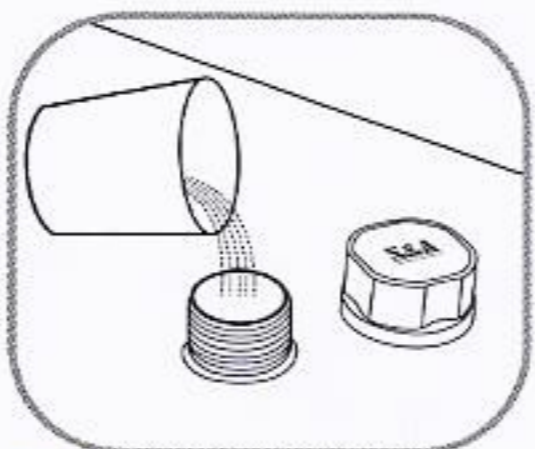


THE FIRST INSTALLATION

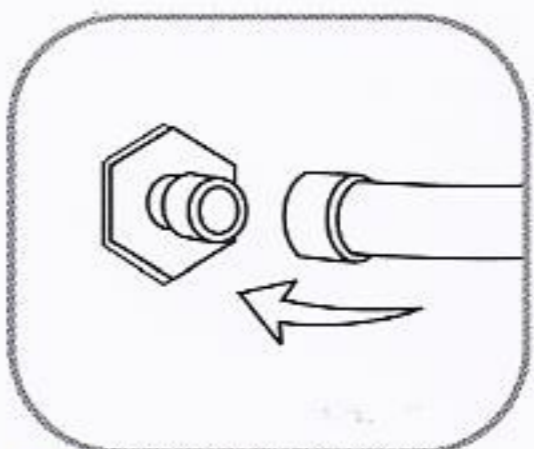
It is very simple to install this industrial cooling machine. The first time installation of the new machine can be carried out by following steps.



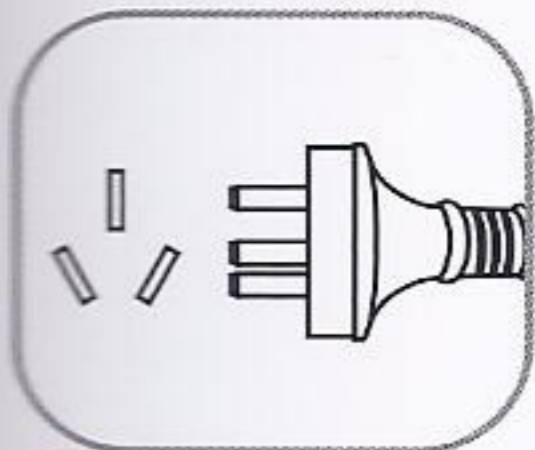
1 Open the package to check if the machine is intact and all the necessary accessories are completed.



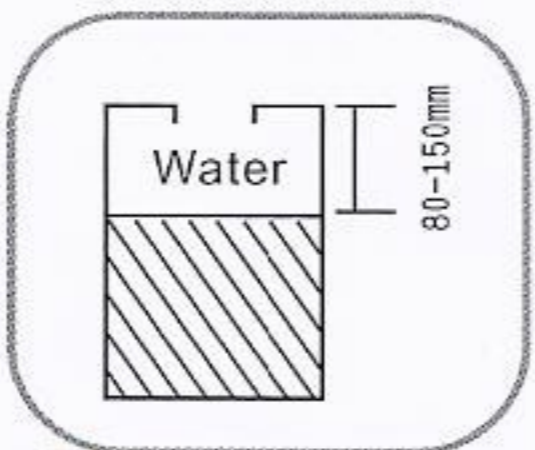
2 Open the injection port, then add cooling water.



3 According to system conditions, connect the water inlet and outlet pipe well.



4 Plug in power, turn on the power switch. (Do not allow the water overflow)



5 Check the water level of the water tank again. (It should be 80-150mm from the surface of water to the injection port)

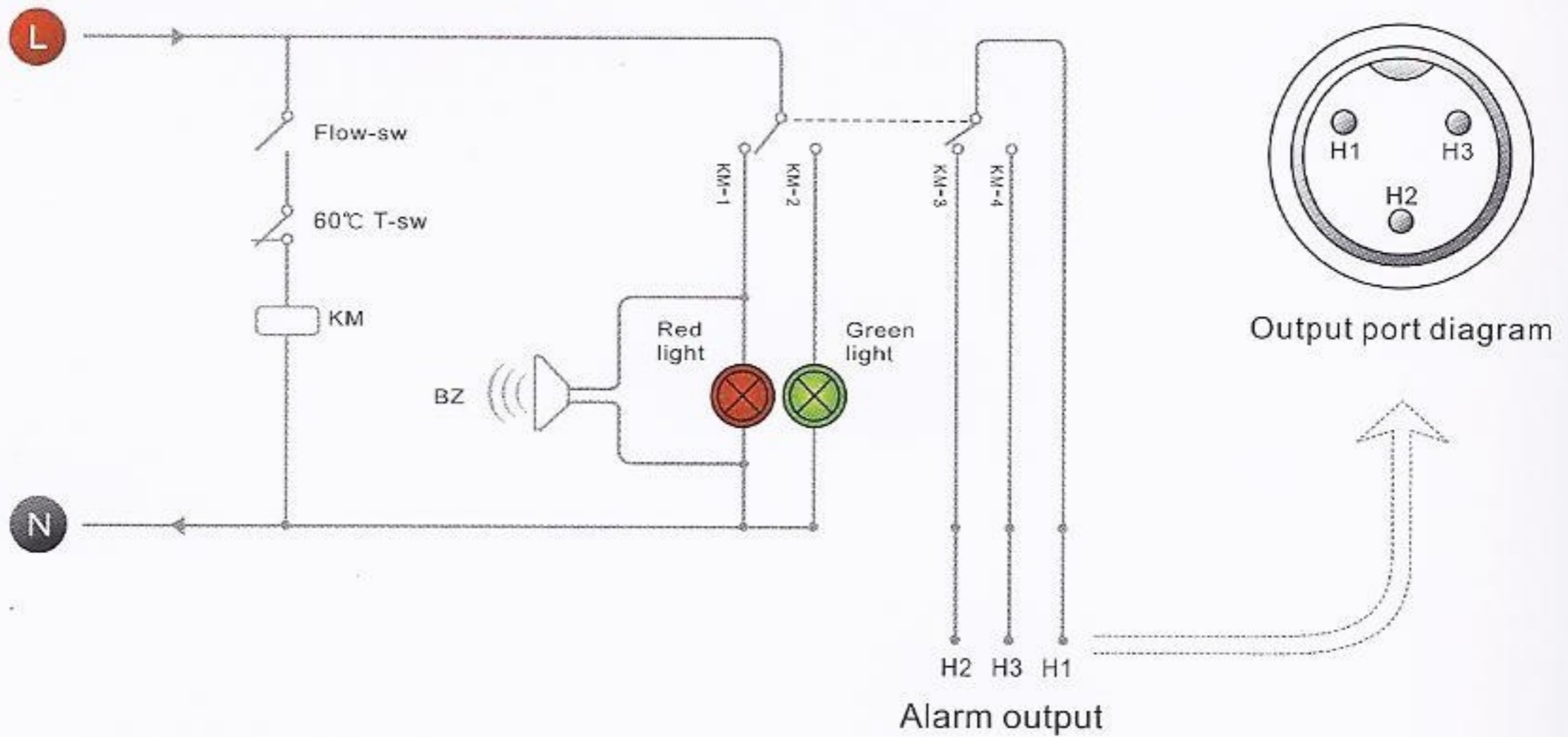
ALARM DESCRIPTION

Causes of the cooling water circulation loop alarm and the working condition table

CONDITION \ DISPLAY	GREEN LIGHT	RED LIGHT	BUZZER	OUT H1、H2	OUT H1、H3
Normal	● On	⊗ Off	⊗ No voice	⊗ Off	■ On
Water stops up	⊗ Off	● On	☎ Voice	■ On	⊗ Off
Surpasses 60°C	⊗ Off	● On	☎ Voice	■ On	⊗ Off
Pump breakdown	⊗ Off	● On	☎ Voice	■ On	⊗ Off
Alarm of water shortage	⊗ Off	● On	☎ Voice	■ On	⊗ Off
Faulted circuit	⊗ Off	● On	☎ Voice	■ On	⊗ Off
Power outage	⊗ Off	● On	☎ Voice	■ On	⊗ Off

Note: the flow alarm port is connected to the normally open relay and normally closed relay contacts, requiring operating current to be less than 5A, working voltage less than 300V.

ALARM CIRCUIT



MAINTENANCE

1. To ensure good heat dissipating, please open the lid to clean the dirt after the cooler used in long-term.
2. Working in cold north area, it is better to use noncorrosive antifreeze fluid.

SPECIFICATIONS

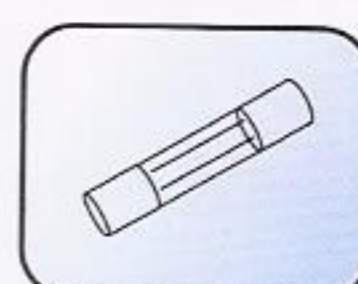
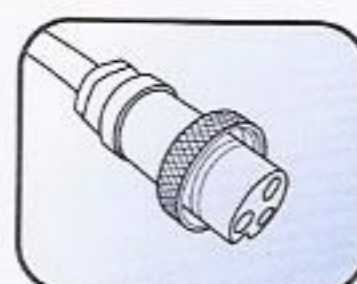
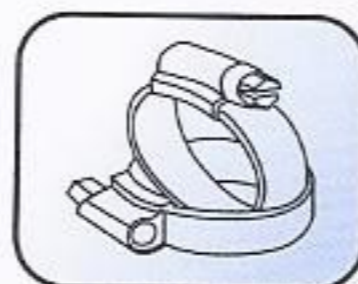
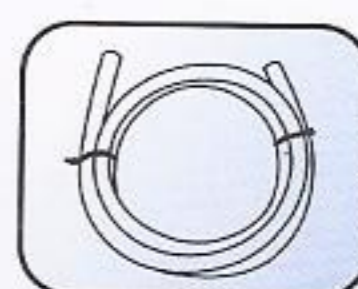
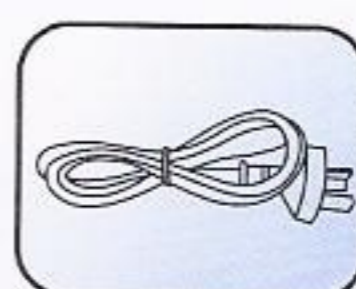
MODEL	CW-3000AG	CW-3000DG	CW-3000AF	CW-3000DF	CW-3000AK	CW-3000DK
Voltages	AC220~240V	AC100~120V	AC220~240V	AC100~120V	AC220~240V	AC100~120V
Frequency	50/60Hz					
Current	0.45A	0.9A	0.45A	0.9A	0.4A	0.8A
Cooling	50W/°C				60W/°C	
Capacity	9L					
Inlet and outlet hold	Outside dimensions 10mm brass connector		Inside dimensions 8mm speedy connector		Inside dimensions 6mm speedy connector	
Max pumping lift	10M				100M	
N.W	9.5Kg				12Kg	
G.W	12Kg				14.5Kg	
Dimensions	47*27*37cm(L*W*H)					
Packing dimensions	59*38*47cm(L*W*H)					

SIMPIE TROUBLESHOOTING

FAILURE	FAULT CAUSE	APPROACH
Machine turned on but unelectrified	Power cord is not plugged in place	Plug the power cord in place
	Fuse burnt-out	Replace the fuse inside the power interface which is in the back of machine
Flow alarm (panel red light) with water pipe directly connect to the outlet, inlet, there is no water flow	Water level in water tank is too low	Feed water and check the pipe leakage
When used with the device, flow alarm (panel red light), but a direct connection with the pipe outlet and inlet, there is water flowing but not alarming	Water level in water tank is too low	Feed water and check the pipe leakage
Ultra-high temperature	Chiller of poor ventilation	To improve the ventilation
	Excessive heat load	Reduce the heat load or to use other models
A normal boot, but the fan does not work	The water temperature below 20°C	A normal phenomenon, no processing
Switch on with alarming after adding water or changing water	Water drop in electric circuit	Natural drying or drying off cap
	Damaged pumps dry transfer	To replace or repair water pumps, prohibited anhydrous boot
Slow outfall drainage	The injection port is not open	Open the injection port

PACKING LIST

1. Machine 1pc
2. User manual 1pc.
3. Power cord 1pc.
4. Connection hose 1pc.
5. Sealed hoop 2pcs.
6. An alarm signal output plug.
7. Spare fuse for 250V/2A 1pc.
(Held in the spare fuseholder of power socket.)



CAUTION: the appliance is not to be used by children or persons with reduced physical, sensory or mental capabilities, or lack of experience and knowledge, unless they have been given supervision or instruction, children being supervised not to play with the appliance.



广州特域机电有限公司

GUANGZHOU TEYU ELECTROMECHANICAL CO., LTD

地址: 广州市海珠区工业大道大干围路38号南华西第五工业区3号楼南梯5楼

Add: Fifth Floor, No.3 Nanhuaxi Industrial Estate, Daganwei Street, GongyeRoad, Haizhu District, Guangzhou, China.

Tel: +86-20-89301885 89301886 Fax: +86-20-84309967 全国服务热线: 400-600-2093

Email: winsontamg@teyu.com.cn <http://www.teyu.com.cn>