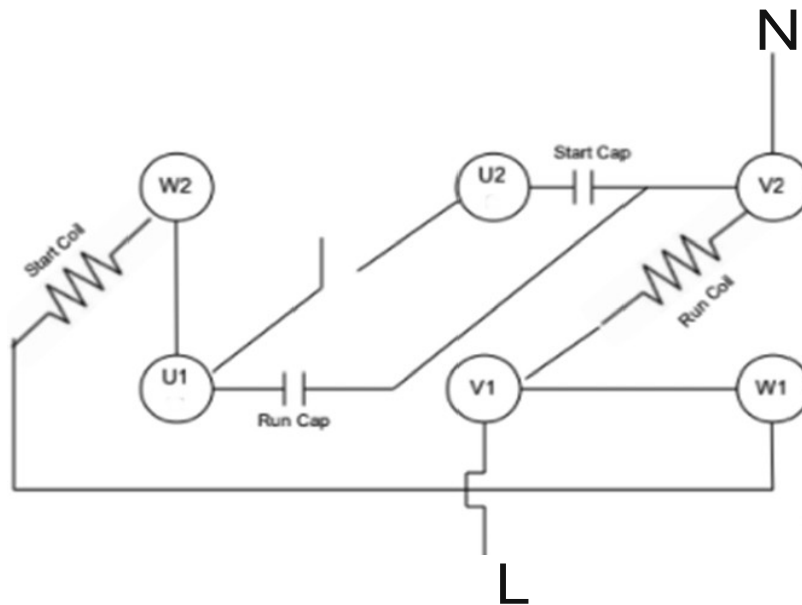


RUNNING A 3-PHASE MOTOR ON A SINGLE-PHASE POWER SUPPLY USING TWO CAPACITORS AND A TRANSFUGAL SWITCH



TRANSFUGAL SWITCH WIRING

RED (-)	BLUE (+)	WHITE (-)	BLACK (+)
Start Cap	Start Coil	Run Coil	Com
U1	W2	U2	W1

- Run Coil: <Resistance
- Start Coil: >Resistance
- Start Cap: higher capacitance
- Run Cap: Lower Capacitance

